

4 SERIES

- CANDELABRA SCREW NON-GROUNDED LAMPHOLDERS
- 6" WIRE LEADS • BRASS SHELL IN BLACK POLYESTER HOUSING
- MAXIMUM RATING: 75 WATTS, 125 VOLTS
- UL AND CSA LISTED • UL FILE E20356 • CSA FILE LR 15284-2

Overview

The 4 Series lampholders are supplied with a brass shell in a polyester molded housing. Lampholders are supplied with 6" two wire leads and are non-grounded. Many bracket and mounting options are available including a 15/16" mounting hole plug button and a threaded bushing for 13/32" mounting holes. Lampholders are designed for use with candelabra screw lamps.

Specifications

Shell: brass.

Housing: black polyester. White housing also available.

Wire leads: 6" **Leads:** #18 AWG, black & white, bare copper, PVC insulated, UL/CSA rated 105° C, stripped 1/2". Non-grounded units are supplied with two 6" wire leads. Custom wire lengths, stripping, termination and wire types are also available.

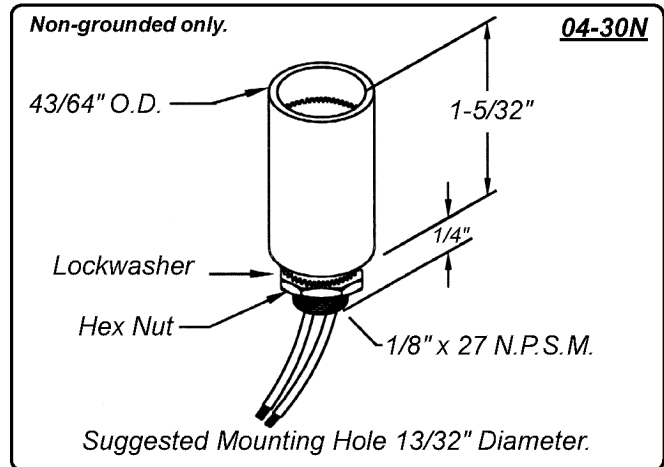
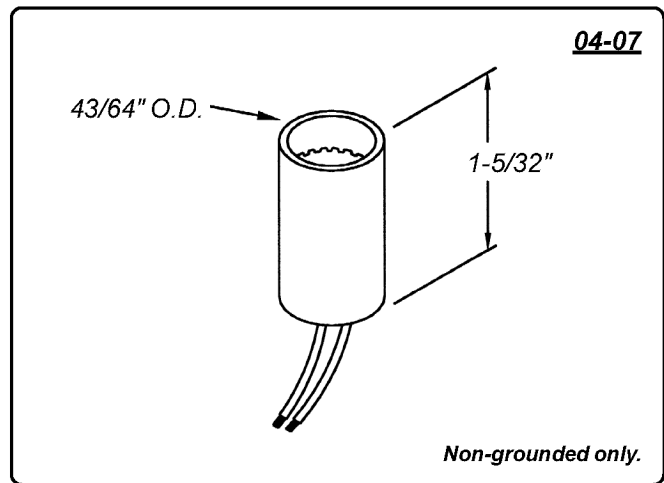
Mounting:

Brackets: .025" to .032" zinc plated steel. Custom brackets and plating types are available.

Threaded bushing: for 13/32" diameter mounting hole. Supplied with lockwasher and hex nut.

Plug button: zinc plated steel for 15/16" mounting hole.

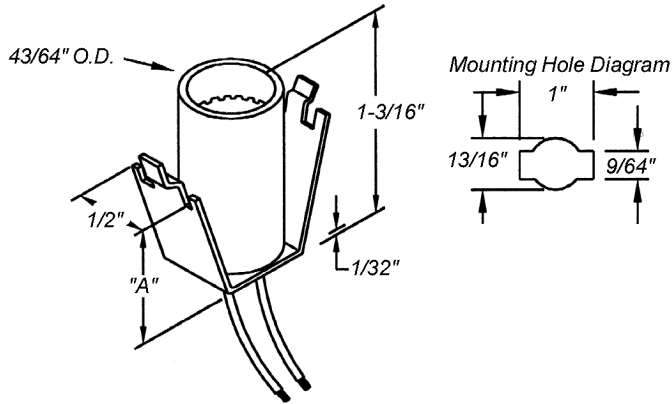
Maximum rating: 75 Watts, 125 Volts.



4 Series
UL & CSA Listed • Non-Grounded
Maximum Rating: 75 Watts, 125 Volts

Brass Shell
Black Polyester Housing
6" Wire Leads

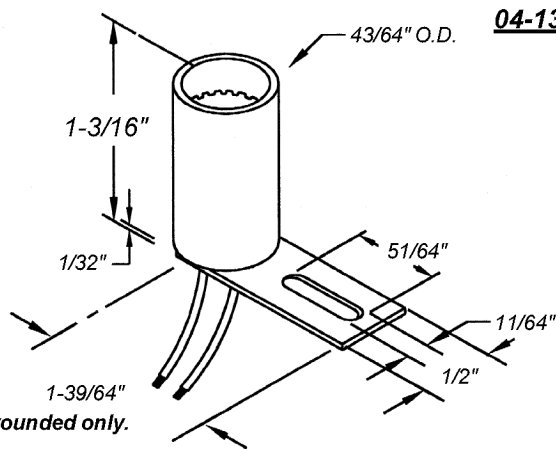
04-15
04-18
04-82



Bracket No.	"A" Dimension
-15	1-5/32"
-18	1-13/32"
-82	15/16"

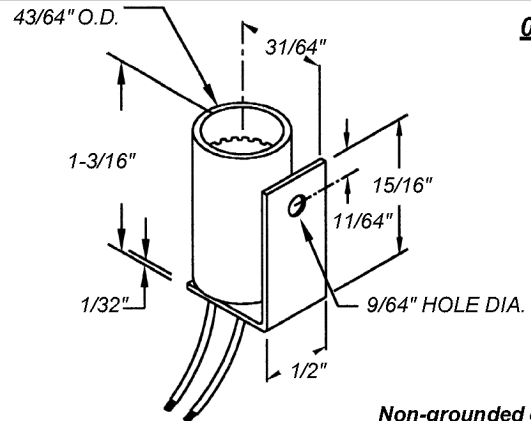
Maximum Panel Thickness .045"

Non-grounded only.



04-13

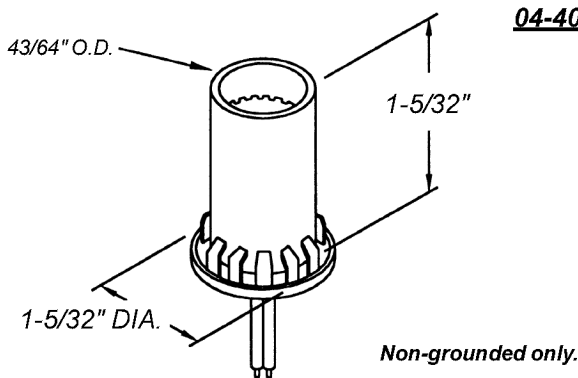
Non-grounded only.



04-19

Non-grounded only.

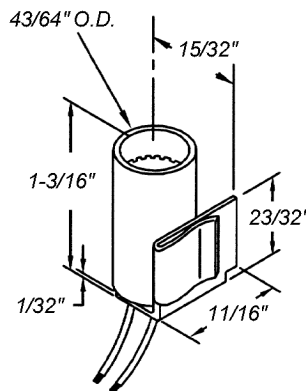
For reversed bracket: 04-20.



04-40

Non-grounded only.

Plug Button: zinc plated steel, for 15/16" hole for panel thickness range 1/32" to 5/64".



04-65

Non-grounded only.

For reversed bracket: 04-55.